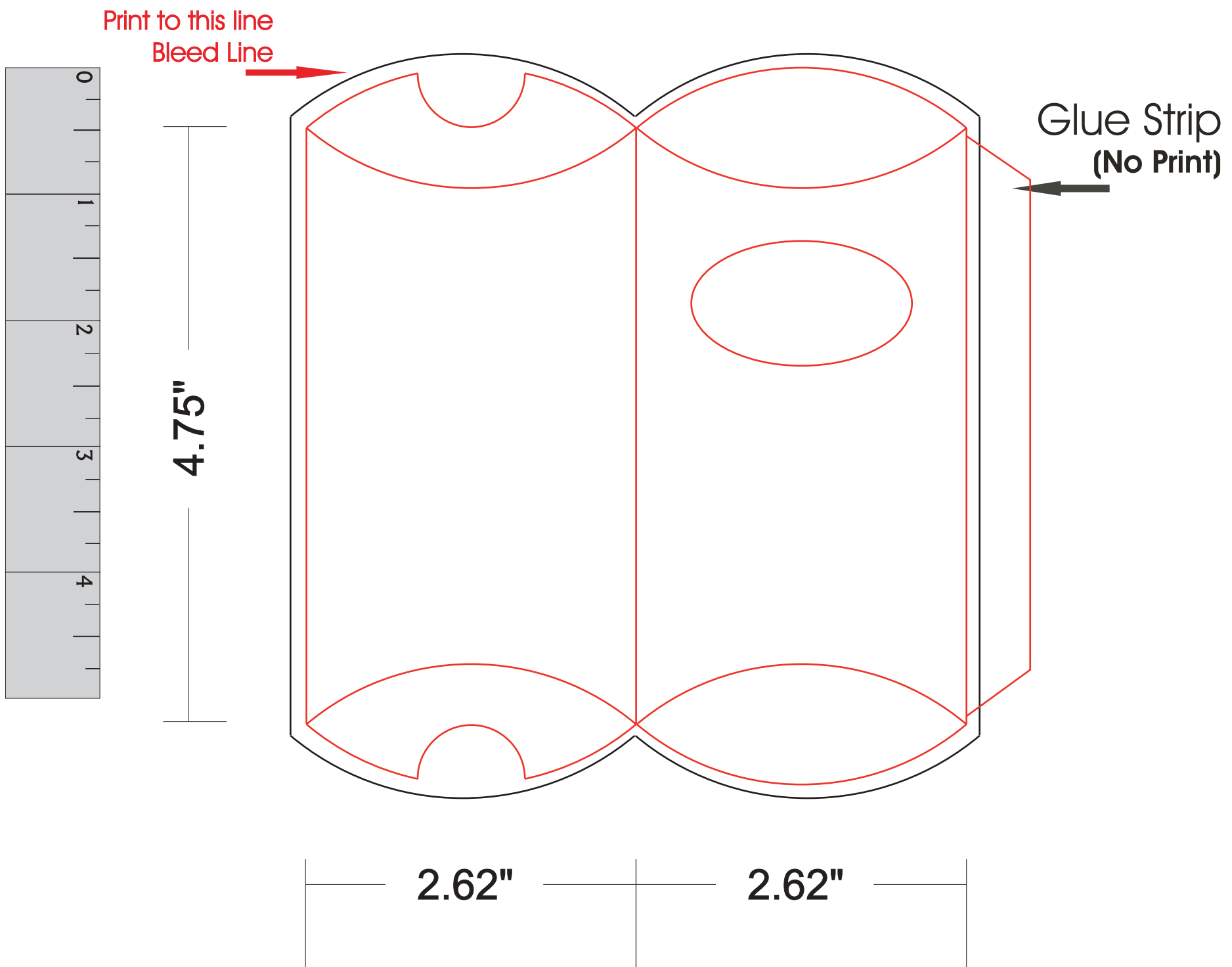
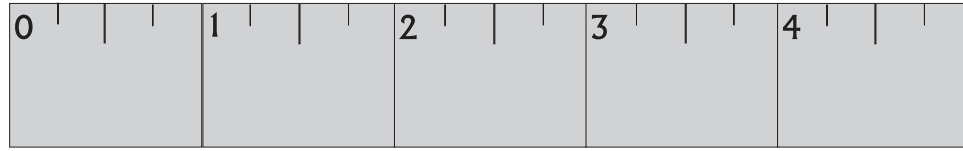



PILLOW BOXES



 - OVAL Line shows WINDOW OPENING

Actual Size (100%)

PRODUCT DIMENSIONS: 4.75"H X 2.35"W X 0.90"D

 - Red Layout Lines Do NOT Print.